

SM-CEILING-TRUSS

Strong™ Truss Mount Adapter for Ceiling Mounts with 1-1/2 in. NPS Threading



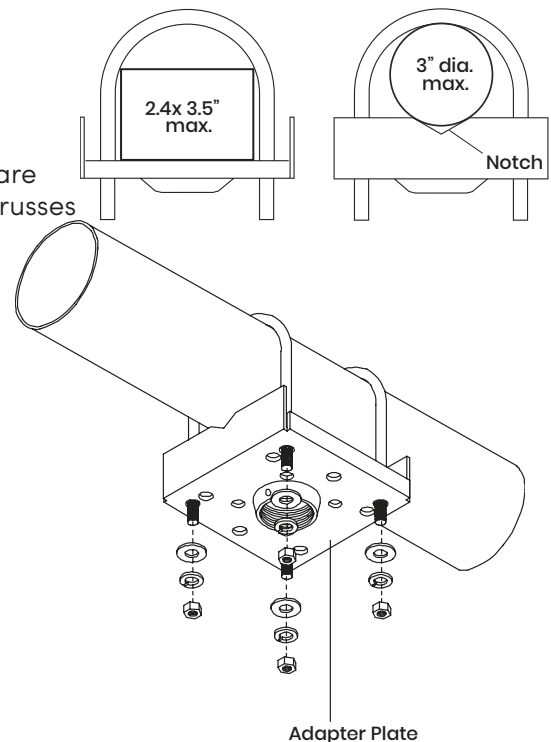
Parts included

- (1) Truss adapter assembly
- (2) U-bolts
- (4) Hex nuts
- (4) Lock washers
- (4) Washers
- (4) M5 x 5mm set screw
- (1) 2.5mm hex wrench

Installation

The adapter plate fits over square and round trusses. Square trusses sit between the two side walls of the plate. Round trusses sit in the adapter plate's notch. To secure the plate:

1. Position the U-bolts over the top of the truss.
2. Slide the adapter plate under the truss and onto the U-bolts, then attach the plate using the included hex nuts, lock washers and washers.
3. Thread the extension pipe into the adapter plate, insert and secure the set screw, then attach a mount of your choice.



Technical Support

For chat and telephone, visit snp1.co/techsupport • Email:

TechSupport@SnapOne.com. Visit snp1.co/tc for discussions, instructional videos, news, and more.

Warranty and Legal Notices

Find details of the product's Limited Warranty at snapone.com/legal/ or request a paper copy from Customer Service at 866.424.4489. Find other legal resources, such as regulatory notices and patent and safety information, at snapone.com/legal/.

Copyright ©2023, Snap One, LLC. All rights reserved. Snap One its respective logos are registered trademarks or trademarks of Snap One, LLC (formerly known as Wirepath Home Systems, LLC), in the United States and/or other countries. 4Store, 4Sight, Control4, Control4 My Home, SnapAV, Strong, and OvrC are also registered trademarks or trademarks of Snap One, LLC. Other names and brands may be claimed as the property of their respective owners. Snap One makes no claim that the information contained herein covers all installation scenarios and contingencies, or product use risks. Information within this specification subject to change without notice. All specifications subject to change without notice.

Version 231201

200-01018

